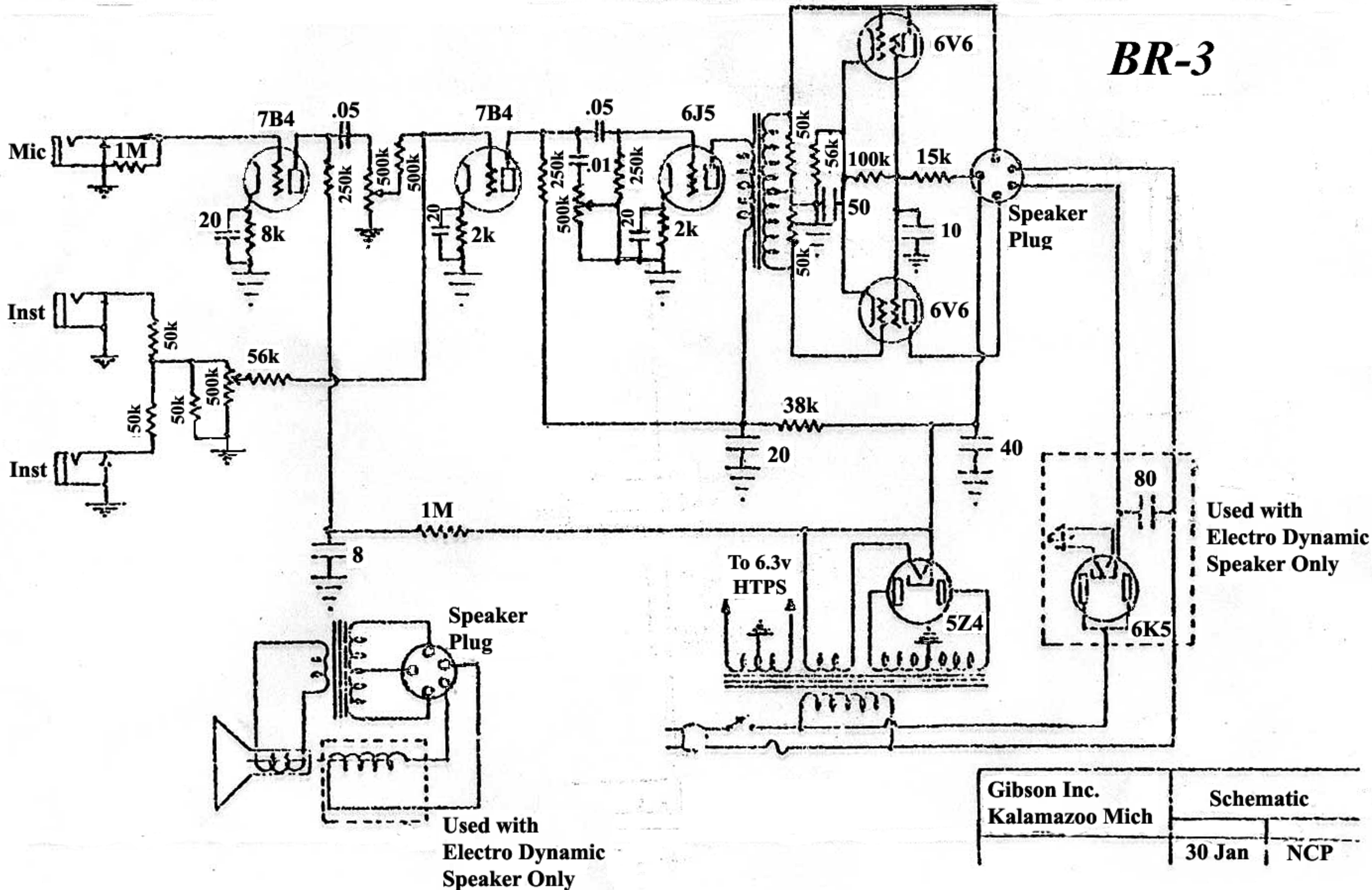


BR-3



Gibson Inc. Kalamazoo Mich	Schematic	
	30 Jan	NCP

Used with
Electro Dynamic
Speaker Only